

HGT electric heater with capillary temperature regulator



Please read the instructions before use.

The heater complies with EC standards
CE **IP54**

- 1 -

SAFETY

- The heater should be installed by a qualified person.
- Bathroom radiators fitted with electric heaters should be fixed not less than 60 cm from a bath, shower or wash basin, and never above a bath.
- For the heater permanently connected (hard wire) there must be applied a cut-off device from the mains. Such a device must disconnect the heater from the supply mains in 2 poles, with contact separation of at least 3 mm.

The heater MUST BE DISCONNECTED before cleaning the casing. AVOID SOAKING THE CASING.

One radiator valve must always be open when a heater is in use (liquid thermal expansion).

- 3 -

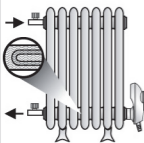
Water content [l]	Radiator output [W]		Recommended HGT Heater	
	min.	max.	HGT heater output [W]	Length of heating element [mm]
1.5	350	350	300	340
3.0	550	550	600	390
4.5	850	850	900	440
7.5	1050	1050	1200	470
8.5	1300	1300	1500	520
10.0	1800	1800	2000	570

If the radiator parameters are different from the ones in the table, please refer to the manufacturer's data sheet for the heater model or producer.

- 4 -

Installation and structure

I radiator in CH system



I radiator in CH system

Open valves and vent the radiator. Next close inlet valve (thermostatic controller). **Caution!** Only one valve must be closed.

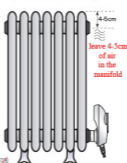
II electric radiator

It is recommended to fill the radiator only up to 95% of its capacity, taking into account thermal expansion of water. Check the capacity in the instruction manual of the radiator manufacturer.

Check that the radiator is watertight after filling.

II electric radiator

Safety valve is obligatory



DO NOT connect to the mains

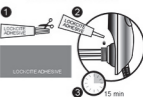
Fill radiator with water (the radiator must be vented, heating elements must be fully immersed)

- 5 -

- 6 -

- 7 -

Because of the shape of HGT heater casing, with some aluminium and brass radiators it may be necessary to use a spacer bush to permit the heater to be turned fully into position.



Before inserting the HGT heater into the radiator, a small amount of Loctite Adhesive (molecule) should be smeared over half of the circumference of the thread. **DO NOT put Loctite on the conical gasket, AVOID CONTACT WITH THE SKIN.** The Loctite adhesive bonds within 15 min.

- 8 -

Installation and structure

Do not remove silicone spacer from heating element

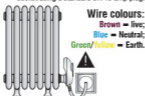


After placing the adhesive on the thread the HGT heater should be firmly screwed into the radiator by hand.

No special tools are required. The special conical gasket fitted to the 1/2" or 3/4" connection of the heater enables the heater to be screwed into the radiator until the control box is vertical.

- 9 -

Electrical installation in a bathroom should be entrusted to a qualified electrician for hard wiring in compliance with UK electrical regulations. Radiators for use in living rooms may be plugged into a standard electrical socket using a standard UK 13 amp plug.

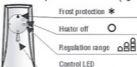


Wire colours:
 Brown = live;
 Blue = Neutral;
 Green/Yellow = Earth.

Connect the heater to the mains 230V.

- 10 -

The HGT heater is switched on by turning the control knob clockwise, and the LED on the casing will light up. The star shaped position on the control knob is for frost protection (approx. 10°C). The range of temperature regulation is from 20°C to 65°C (±5°C). The heater is turned off by turning the control knob as far as possible anticlockwise (Fig. 1)



Maintenance:

The HGT heater **MUST BE DISCONNECTED** before cleaning the casing. The casing may be cleaned using a soft cleaning agent on a damp cloth. **AVOID SOAKING THE CASING.** The heating element must be fully immersed. The radiator should be fully purged of air

- 11 -

- 12 -

Guarantee conditions and card



GUARANTEE CARD

Electric heater with electric temperature controller, type: HGT

Serial No.:

Date of sale:

Stamp of retail outlet, signature of seller

Caution: The guarantee card should be legibly filled in retail outlet. Any corrections on the guarantee card will invalidate the guarantee. Guarantee card validity until proof of purchase.

- 13 -

In the event that Heatpol are unable to repair or replace this product we reserve the right to refund the purchase price as an alternative

Notes:

- The condition of proper, long-term heater operation is complete immersion of heating element in water.
- It is recommended to entrust the heater installation and first starting to qualified technicians.
- In case the radiator installed in CH system is fitted with two valves, it must not be closed both at supply and return side (thermal expansion of water).
- Disconnect the power supply in case malfunction is found.
- Electric power cable is not replaceable. 2 type connection. If the electric cable is damaged the heater must be returned to the manufacturer for repair.
- If heater doesn't work at any position of a knob please return it to a sale point.

- 14 -

Caution:

To avoid the risk of fire or electric shock the heater casing should be protected from water spray or flooding.

This appliance is not intended for use by persons (including children) of limited physical, sensory or mental abilities, or persons inexperienced or not familiar with the appliance, unless supervised or instructed on the appliance use by persons responsible for their safety. Particular attention should be paid to children, to preclude playing with the appliance by them.



exclamation mark on triangular field signals information important for the user

- 15 -

lightning mark ended with arrow on triangular field warns about dangerous voltage inside the appliance

CAUTION electric shock hazard

Note: In order to reduce electric shock hazard, do not remove the casing (nor its rear cover). There are no user-serviceable parts inside the appliance; the product should be returned to manufacturer to have it repaired, via product purchase point.

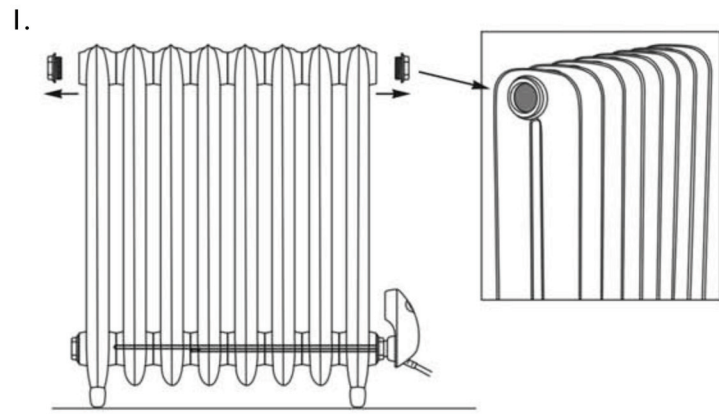
REFER TO LABELS ON ENCLOSURE



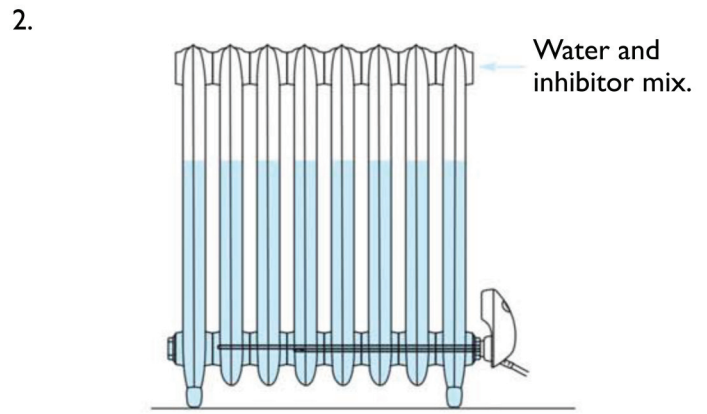
Do not throw the used appliance in the waste bin. Take it to a recycling facility.

- 16 -

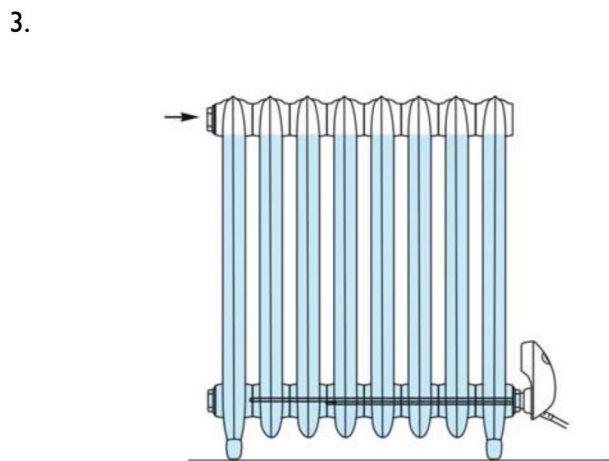
Filling Radiators When Using An Electric Element



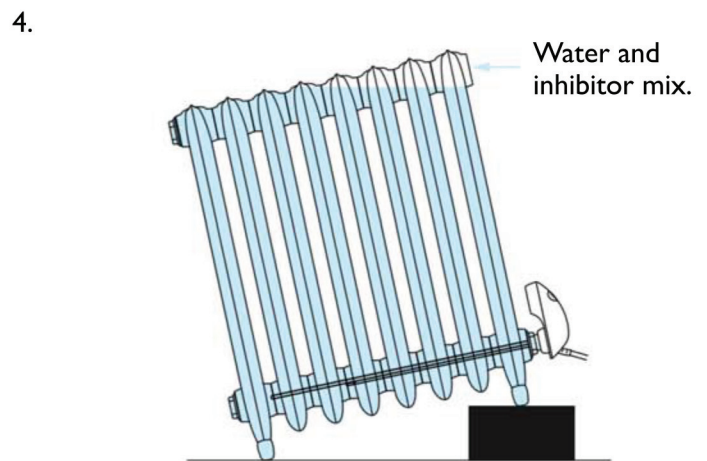
Unscrew the two end caps at the top of the radiator.
Please Note: - The end caps will have opposite threads, one left hand and one right hand. Make sure you note which one fits which end of your radiator.



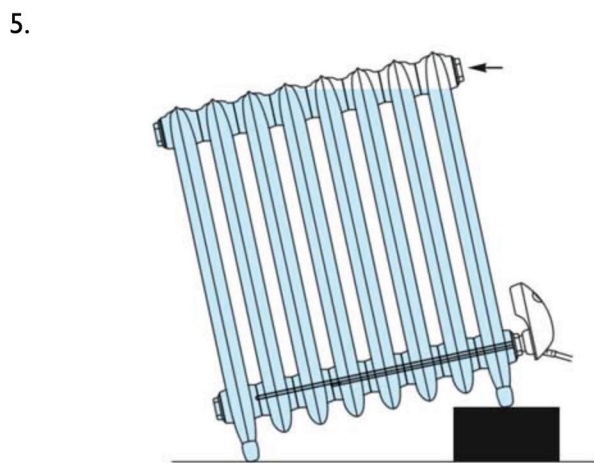
Slowly fill the cast iron radiator up with a water and inhibitor mix (we recommend sentinel x100 towel rail inhibitor). To avoid airlocks, this should be done from one end of the radiator and ensure the heating element is fully submerged.



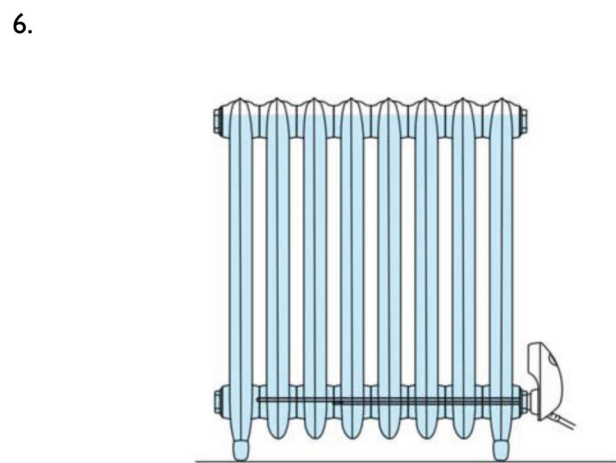
Once filled, screw the left end cap back on.



Carry on slowly filling the radiator, with it raised at an angle. A gap of 5%, at the top, must be left to allow for expansion.



Screw the right end cap back on.



The radiator is now ready for connection to an electrical supply. **This must be completed by a professional.**



trads

The Traditional Radiator Company

www.tradscastironradiators.co.uk

T: 01400 263 320 | E: sales@tradscastironradiators.co.uk