



# trads

The Traditional Radiator Company

## Steel Radiator Installation Guide

- Review instructions carefully before installation.
- Installation should be completed by a suitably qualified person.
- Please dispose of packaging in a responsible manner.

### Contents



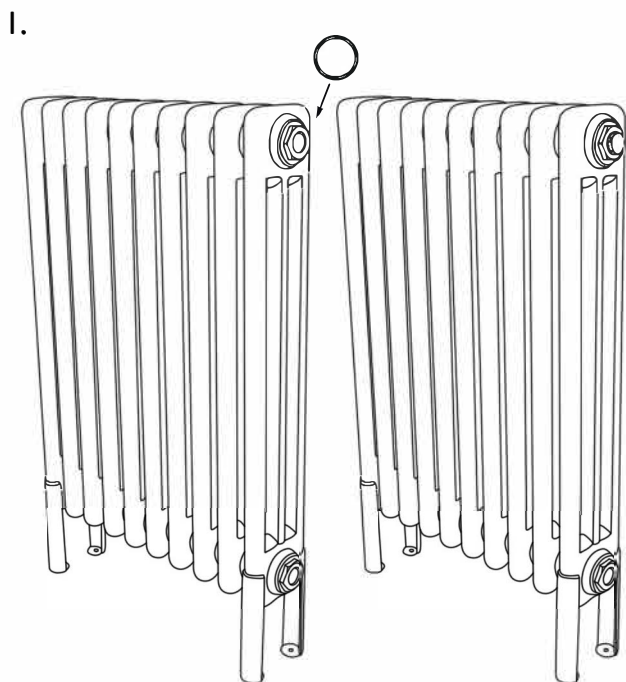
1 x Blank



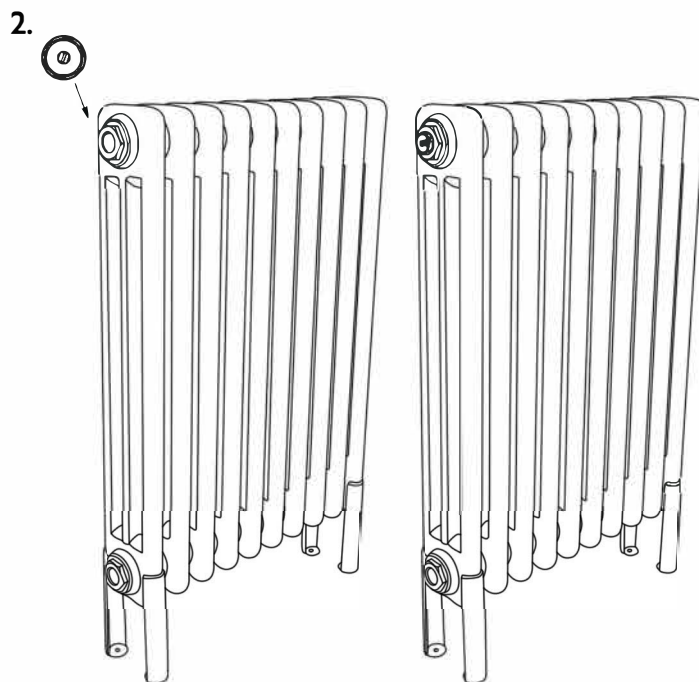
1 x Bleed



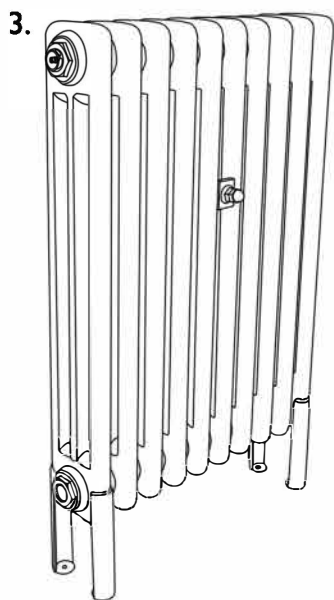
2 x Spare Gaskets



Insert the blank into desired top end cap of the radiator. The blank should already have a gasket attached to it, if not, apply one of the spares. The blank should now be tightened with an adjustable spanner, ensure the blank is not over tightened.



Insert the bleed into opposite top end cap of the radiator. The bleed should already have a gasket attached to it, if not, apply one of the spares. The bleed should now be tightened with an adjustable spanner, ensure the bleed is not over tightened.



Attach the desired wall stay to the radiator. Please note that for radiators above ten sections, two wall stays will be required. A wall stay fitting guide can be obtained after purchase. Valves should now be attached to the bottom end caps of the radiator.

### After Installation

- Use a screwdriver to open the bleed, open the valve and let water fill the radiator. Check all connections for leaks.
- Once water overflows from the bleed, there is no air in the radiator.
- Use a screwdriver to close the bleed, turn on the valve and the radiator is ready for use.

### After Care

- Do not clean the radiator with corrosive or scouring cleaning agents.

### Please Note

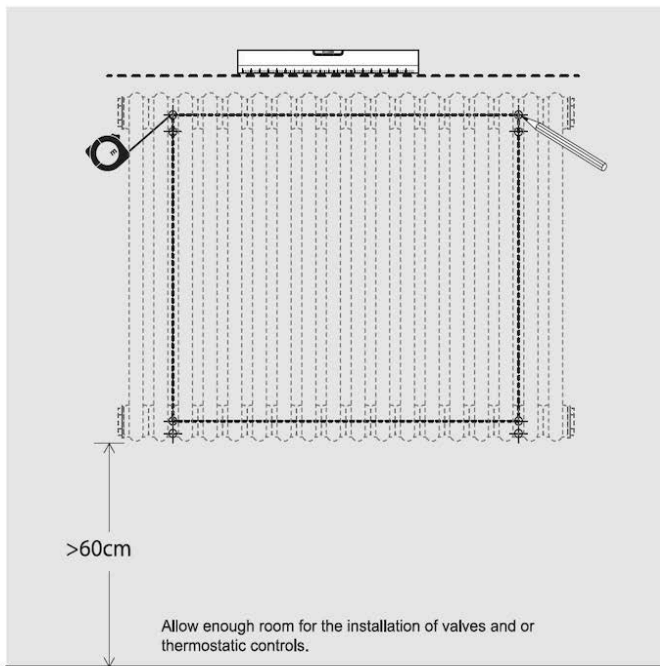
- This product can only be used at a maximum working pressure of 5.5 Bars.

## Steel Radiator Installation Guide - Wall Hung Option

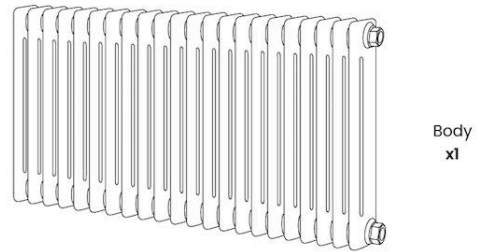
- Observe all local plumbing and building codes
- Installation should be completed by a suitably qualified person
- Read these instructions carefully to ensure proper installation
- Check to make sure you have the following parts indicated below

**1** Position the towel rail in desired location check for level and mark four equal positions for the brackets.

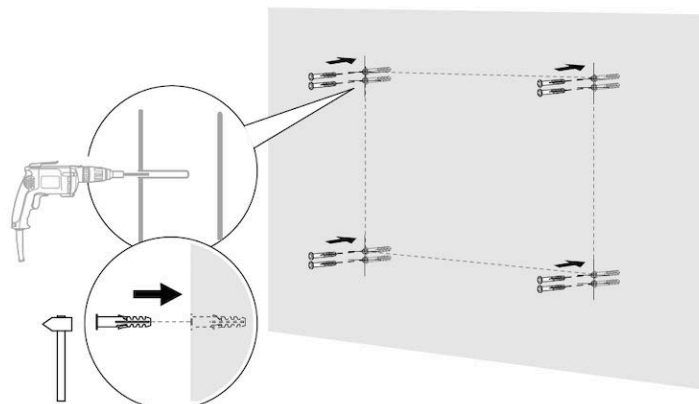
- Make sure the radiator is installed vertically
- Before installation place a dust sheet on the floor to protect the area



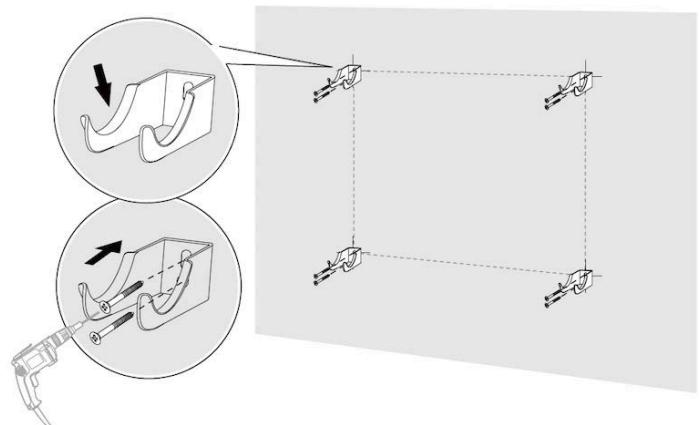
**Please check you have all of these items in the box.**



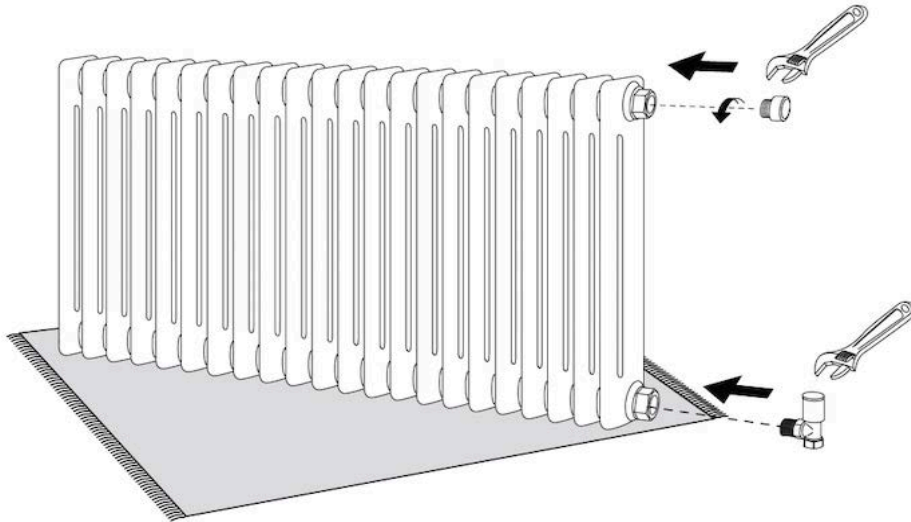
**2** Drill holes in wall and insert wall plugs. N.B For false or studded walls different fixings can be purchased from your local DIY store.



**3** Fix the wall brackets to the wall with screws provided and ensure a secure holding.

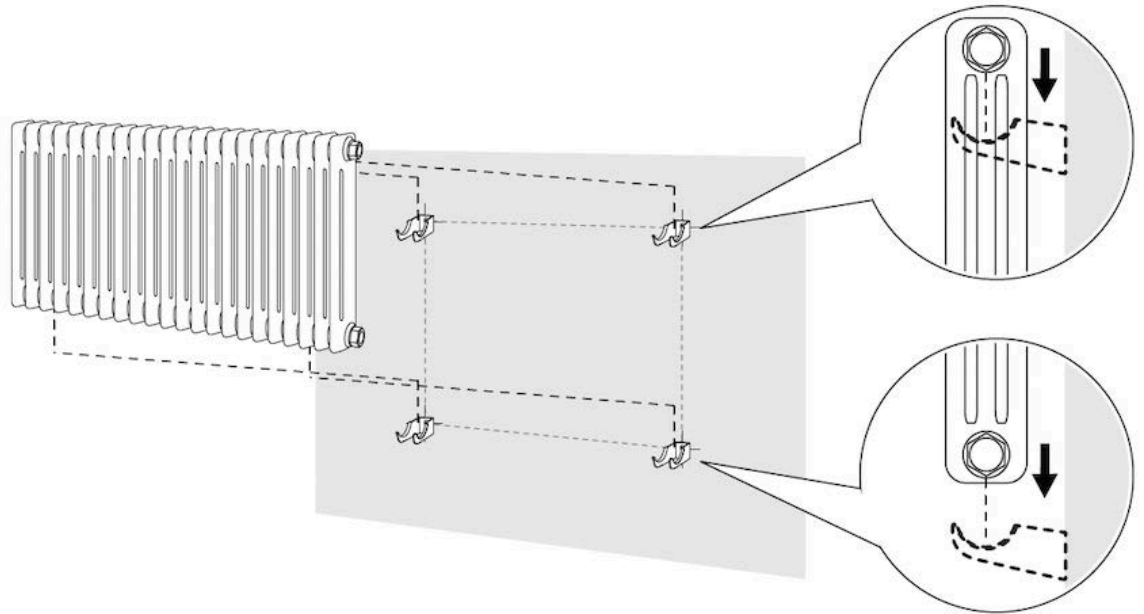


- 4** Wrap PTFE tape around blanking plug and bleeder valve and screw into top of radiator tighten with a spanner.



Apply PTFE tape to valves and screw into bottom of radiator tighten with a spanner.

- 5** Rest the radiator onto brackets and connect valves to the supply.



#### After Installation

- Use a screwdriver to open the air vent, open the valve and bleed the radiator
- Check all connections for leaks
- Once water overflows from the air vent, use a screwdriver to close
- Open the valve and the radiator is ready for use

#### Care & Cleaning

- Radiators are made from steel with plating and should not be cleaned with corrosive or scouring cleaning agents