



trads

The Traditional Radiator Company

Steel Radiator Installation Guide

- Review instructions carefully before installation.
- Installation should be completed by a suitably qualified person.
- Please dispose of packaging in a responsible manner.

Contents



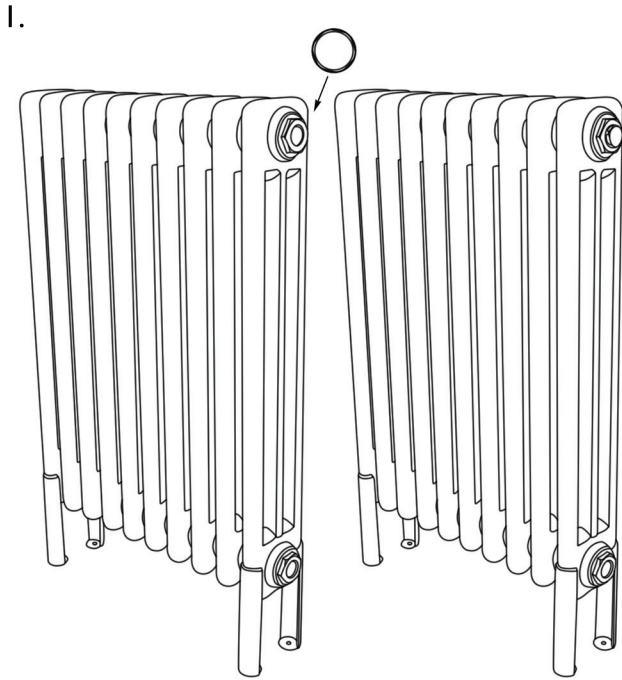
1 x Blank



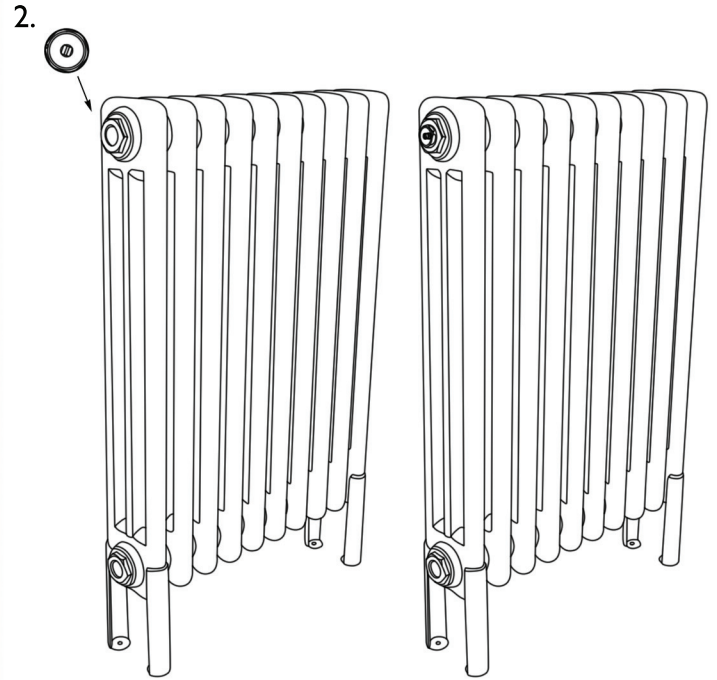
1 x Bleed



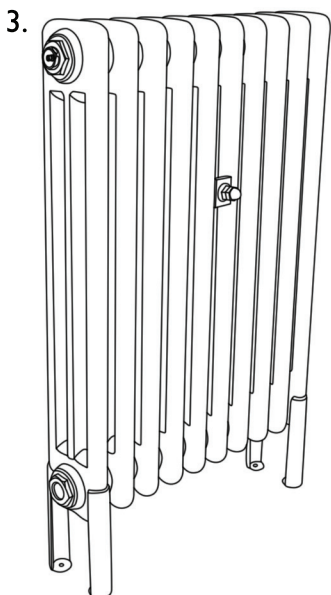
2 x Spare Gaskets



Insert the blank into desired top end cap of the radiator. The blank should already have a gasket attached to it, if not, apply one of the spares. The blank should now be tightened with an adjustable spanner, ensure the blank is not over tightened.



Insert the bleed into opposite top end cap of the radiator. The bleed should already have a gasket attached to it, if not, apply one of the spares. The bleed should now be tightened with an adjustable spanner, ensure the bleed is not over tightened.



Attach the desired wall stay to the radiator. Please note that for radiators above ten sections, two wall stays will be required. A wall stay fitting guide can be obtained after purchase. Valves should now be attached to the bottom end caps of the radiator.

After Installation

- Use a screwdriver to open the bleed, open the valve and let water fill the radiator. Check all connections for leaks.
- Once water overflows from the bleed, there is no air in the radiator.
- Use a screwdriver to close the bleed, turn on the valve and the radiator is ready for use.

After Care

- Do not clean the radiator with corrosive or scouring cleaning agents.

Please Note

- This product can only be used at a maximum working pressure of 5.5 Bars.