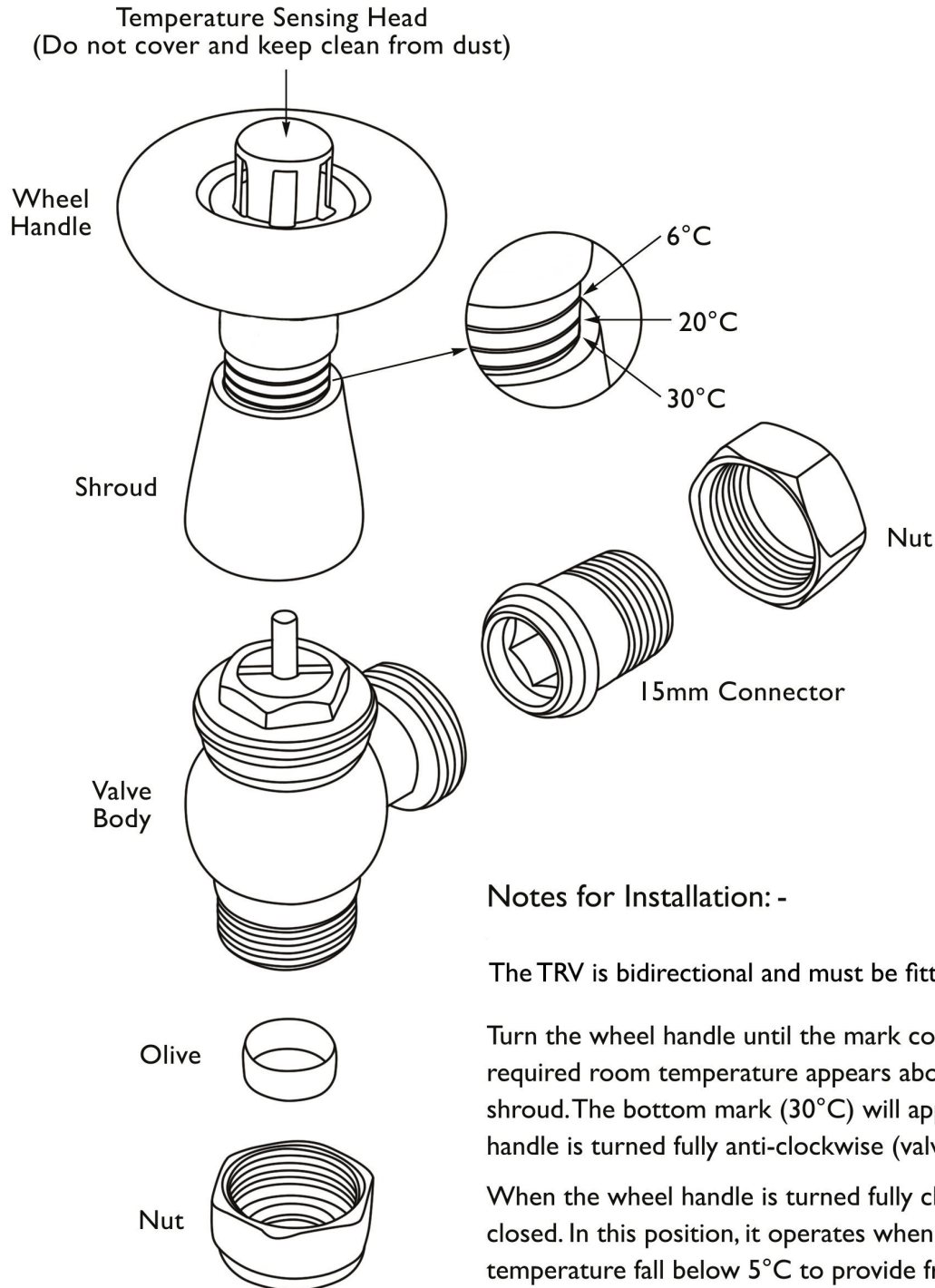




trads

The Traditional Radiator Company

Kingsgrove Thermostatic Radiator Valve (TRV) Operating Instructions



Notes for Installation: -

The TRV is bidirectional and must be fitted vertically.

Turn the wheel handle until the mark corresponding to the required room temperature appears above the top of the shroud. The bottom mark (30°C) will appear when the wheel handle is turned fully anti-clockwise (valve is fully open).

When the wheel handle is turned fully clockwise, it will feel closed. In this position, it operates when the room temperature fall below 5°C to provide frost protection.

We do not recommend the use of abrasive or solvent based cleaning products, as these may damage the finish of the valve. Clean with a soft, dry cloth as necessary.